



PS1264.1

Developed for general area coverage, ZP755 HA and ZP755 HB have sound distribution characteristics suitable for matching the requirements of most open areas.

ZP755 HA is designed with dual front and rear sound paths, providing an 'all around' sound output - ideal for open area coverage. Whilst the ZP755 HB features a 'forward directional' output, making it effective in corridors, passageways and on escape routes.

Installed directly onto and powered by the ZP wiring loop - ZP755 HA and HR enable the system designer to offer a complete ZP3 analogue addressable system on a single pair of wires.

The units high efficiency acoustic design, together with a low energy, 'sound gun' transducer, enables combinations of up to 100 sensors and 85 sounders to be connected to a one kilometre loop of 1.5 mm<sup>2</sup> cable. An optional first fix plate accepts all loop and screen wiring, prior to the sounder connection via a single pair of leads.

The ZP755 HA range features a unique self test facility - automatically activated during routine sounder testing. A built in microphone circuit measures sound output level and automatically signals the sounder address and location to the control panel, should volume fall below the expected test level.

In systems where loop lengths or current requirements are excessive, ZP755 sounders can be powered directly from an external power supply. All ZP755 sounders incorporate switch settings enabling them to be assigned a unique address, which is polled by the panel every two seconds.

Continuous, intermittent and two-tone outputs are available, from which any combination can be chosen to provide alert and evacuate, two stage alarms. All sound types comply with BS 5839 Part 1:1988 recommended frequencies.

The ZP755 HA produces a sound output of 102 dBA, with the HB version measured at 105 dBA, both tested at 1 metre. A volume control is included for areas where a reduced sound output is required.

Moulded in high impact thermoplastic, the sounders are available in either red or white.



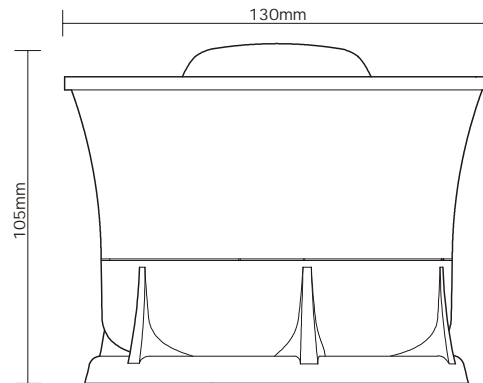
## ZP755HA/HB

---

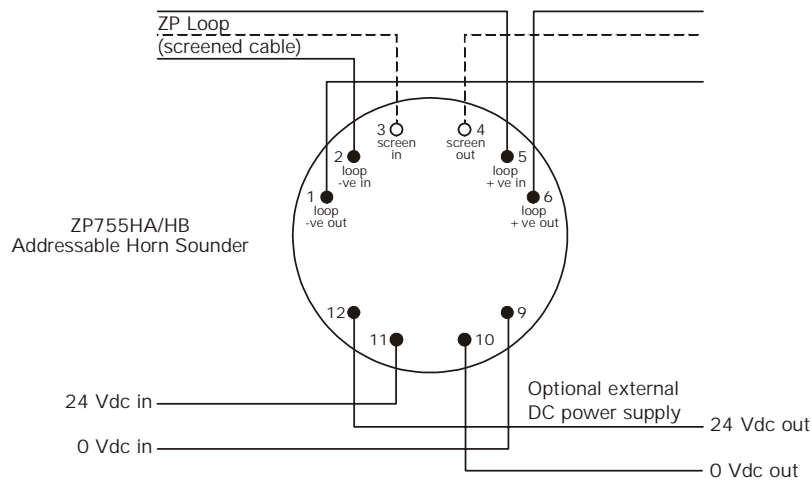
### Addressable Horn Sounders

- Wide 'all around' or 'forward directional' sound distribution models
- Microphone self test facility
- Up to 85 sounders directly on the loop wiring
- High efficiency sound gun transducer
- Synchronised outputs

# Dimensions



# Wiring Schematic



# Specifications



Model No.	Part No.	Specification	Description	Performance
ZP755HA-R (red)	77601	EN54 Part 3	Addressable horn-sounder - loop powered	ZP755HA 102 dBA (at 1m)
ZP755HA-W (white)	77602			ZP755HB 105 dBA (at 1m)
ZP755HB-R (red)	77603			
ZP755HB-W (white)	77604			

Compatibility	All ZP analogue addressable systems <i>note</i> - sound options may vary for ZP5 and ZP3 systems with early software versions.	Operating voltage	16-24 volts DC
Mounting	Surface - with optional first fix plate ZP7-FF-W (white) ZP7-FF-R (red)	Current (quiescent)	600µA
		Current (active)	5.0 mA
Addressing method	7 way Dip switch	Max number	85 per 1km loop (subject to cable size and sounder spacing)
		Wiring	2 core loop
Monitoring:	ZP loop - open and short circuit fault sound output level - self test facility	Environmental:	
		Application	Indoor use
Sound output	Tone 1 - continuous 980 Hz Tone 2 - intermittent 980 Hz (0.5 secs on/off) Tone 3 - two tone warble 980 Hz/670 Hz	EN60529 rating	IP50
		Temp range	-10°C to 70°C
Sound distribution	ZP755HA wide ZP755HB narrow	Humidity range	10% to 95% RH (non condensing)
		EMC	CE marked (EEC89/336)
Construction:		Material	Moulded thermoplastic
		Dimensions	130mm (Dia) x 105mm (D)
		Colour	White or red
		Weight	180g

Ziton Ltd  
 8 Newmarket Court Chippenham Drive Kingston Milton Keynes MK 10 0AQ United Kingdom  
 Telephone +44 (0) 1908 281981 Fax +44 (0) 1908 282554 email ziton.uk@ziton.com  
 Ziton (Pty) Ltd  
 Ziton House 555 Voortrekker Road Maitland 7405 PO Box 4965 Cape Town 8000 South Africa  
 Telephone +27 (0)21 506 6000 Fax +27 (0)21 506 6100 email ziton.sa@ziton.com

Copyright (c) Ziton Limited  
 Ziton reserves the right to change specifications without notice in order to improve products or manufacturing methods. Although every effort is made to avoid errors, we reserve the right to correct typographical, photographic, clerical or printing errors.